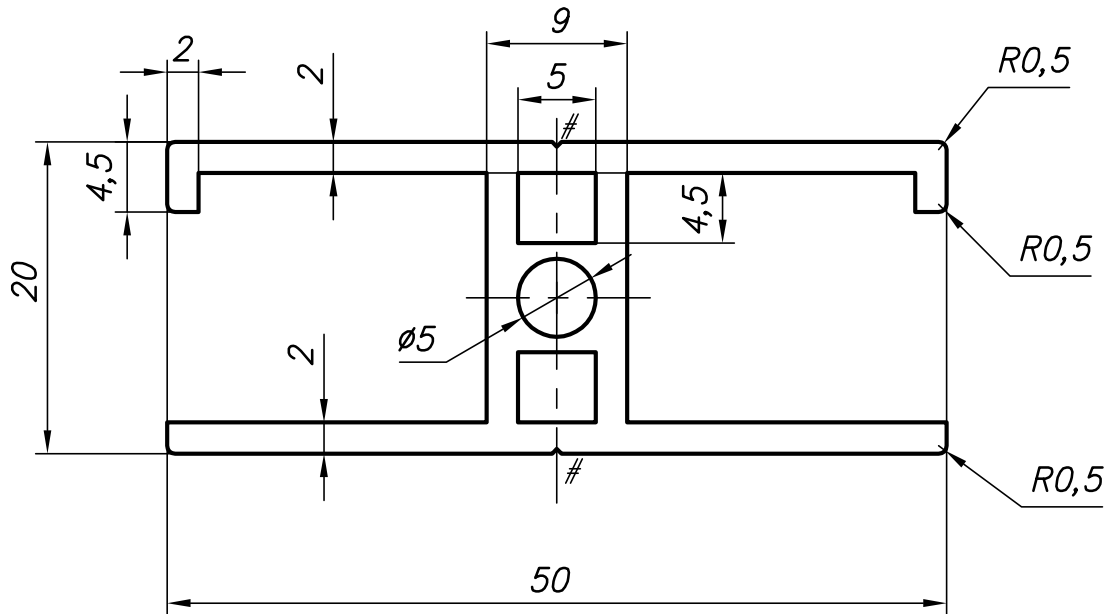


1:1



"#" = 0,3x90°

ALLOY		Straightness 1,5 mm		Twist-3,0 mm		Convexity-concavity-0,3 mm		
6060 EN 573-3		For L-6000 mm		For L-6000 mm		Squareness -0,4mm		
Temper T66		Surface EN 755-1				Area - 289 mm ²		
		Others demands on EN 755-9				Perimeter - 231mm		
		Length -				Circumscribing circle $\Phi 44$ mm		
SIZE	go 1,5	1,6-3	3,1-6	6,1-10	10-25	25-50		
Wall thickness	$\pm 0,15$	$\pm 0,15$						
Tolerance	$\pm 0,25$			$\pm 0,30$	$\pm 0,50$			
				Customer name		500-4170		
				MeHKu GbR				
Position	Name	Sign.	Date	Profile		Phase	Mass	Scale
Designer	V.Gerchev		05.10				0,780 kg/m	2:1
						Page:1	Of pages: 1	
						ALCOMET		